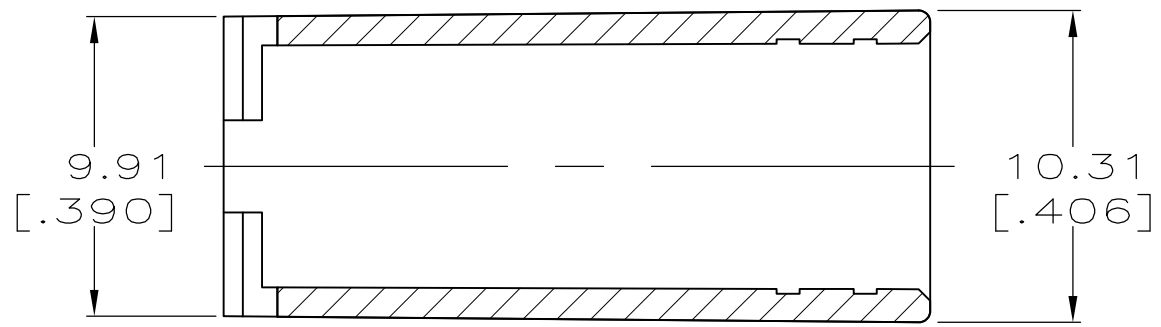


THIS DRAWING IS UNPUBLISHED. RELEASED FOR PUBLICATION  
 © COPYRIGHT - By - ALL RIGHTS RESERVED.

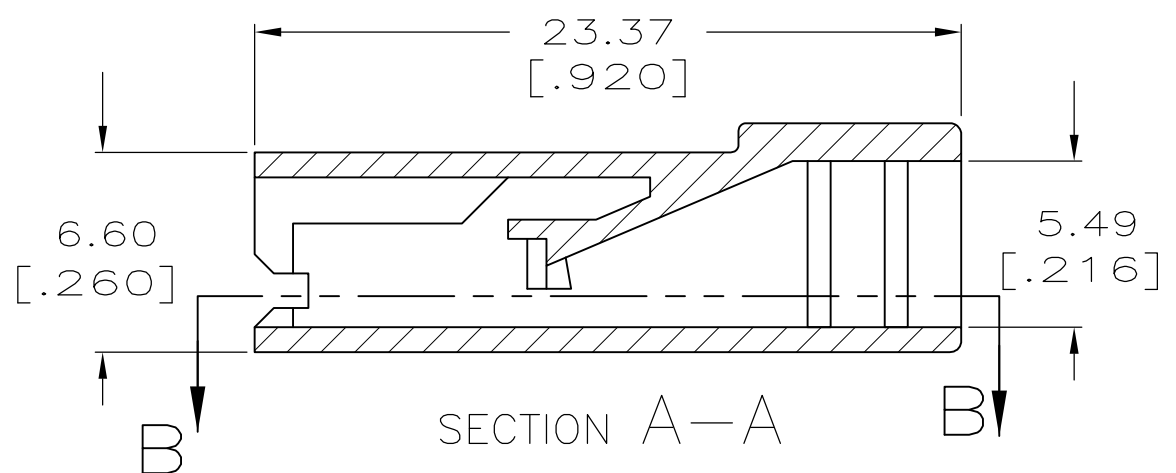
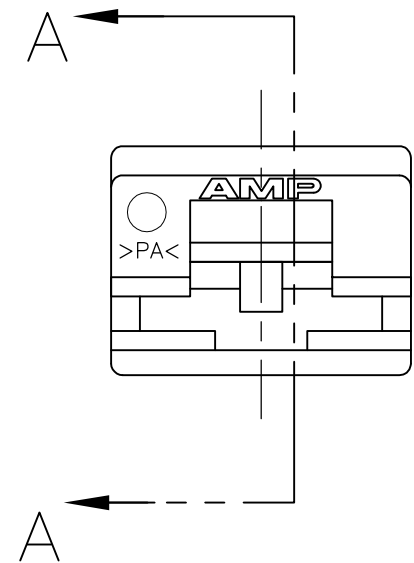
LOC	DIST	REVISIONS					
AF	50	P	LTR	DESCRIPTION	DATE	DWN	APVD
		AC6		REVISED PER ECO 13-003620	01MAR13	JR	PD



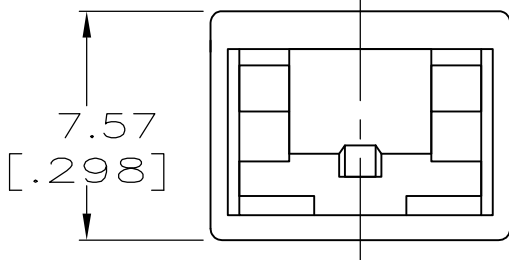
SECTION B-B

- △1 SPECIAL PACKAGING QUANTITIES.
- △2 POLYAMIDE ACCORDING TO IEC 60335-1, GLOW WIRE.
- △3 PRELIMINARY - NOT FOR PRODUCTION

5 CONTACT PRODUCT ENGINEERING FOR TERMINAL RECOMMENDATIONS WHEN USING THIS INSULATOR WITH 10 AWG WIRE



SECTION A-A



SUPERCEDED BY 1-480416-0  
 OBSOLETE  
 SUPERCEDED BY 1-480416-0

NATURAL	△2 66 NYLON, UL94 V0	△3	2-480416-3
NATURAL	△2 UL94 V2		2-480416-2
NATURAL	6/6 NYLON	△3 △1	2-480416-1
NATURAL	UL94 5VA RATED	△3	2-480416-0
NATURAL	4/6 NYLON UL 150		1-480416-8
NATURAL	66 NYLON, VO		1-480416-7
NATURAL	POLYESTER		1-480416-6
RED	6/6 NYLON		1-480416-4
BLUE			1-480416-3
BLACK			1-480416-1
NATURAL			1-480416-0
FINISH	MATERIAL		PART NO

THIS DRAWING IS A CONTROLLED DOCUMENT.		DWN	JR RUTH	2/4/91	TE Connectivity
DIMENSIONS: INCHES		CHK	P FORTNEY	2/4/91	
		APVD	C MEYERS	2/4/91	
TOLERANCES UNLESS OTHERWISE SPECIFIED:		PRODUCT SPEC		NAME	
0 PLC ± -		-		HOUSING, RECEPTACLE, FASTON, 6.35 [.250] SERIES	
1 PLC ± -		-		-	
2 PLC ± 0.38 [.015]		-		-	
3 PLC ± -		-		-	
4 PLC ± -		-		-	
ANGLES ± -		-		-	
MATERIAL SEE TABLE		FINISH SEE TABLE		SIZE	
				A3 00779	
				C-480416	
				RESTRICTED TO	
				-	
		CUSTOMER DRAWING		SCALE 4:1	
				SHEET 1 OF 1	
				REV AC6	